

# **PARK-VUE TELESCOPING SLIDING PATIO DOOR**

**ASSEMBLY AND INSTALLATION  
INSTRUCTIONS FOR THREE PANEL  
UNITS XXO or OXX**

**SUPPLEMENTARY INSTRUCTIONS FOR:**

- TROUBLESHOOTING AIR/WATER INFILTRATION
- FINISHING INSTRUCTIONS
- PREPARING THE ROUGH OPENING

---

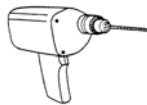
## **PART 1: ASSEMBLY OF DOOR UNIT**

---

### **ASSEMBLY TOOLS NEEDED**

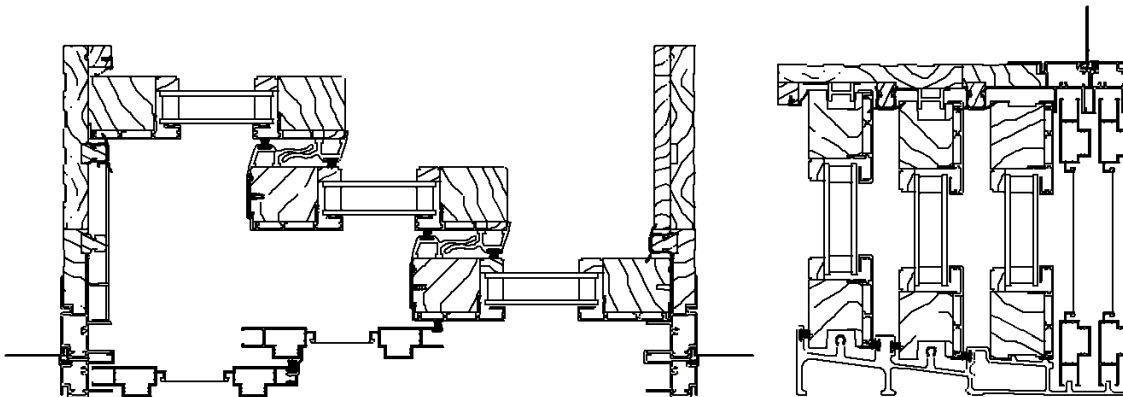


**SILICONE  
CAULK &  
CAULKING  
GUN**



**DRILL/SCREW  
-GUN**

**NOTE: PREFINISHING OF ALL COMPONENTS PRI-  
OR TO ASSEMBLY IS RECOMMENDED, BUT NOT  
NECESSARY EXCEPT FOR TOP AND BOTTOM OF  
STATIONARY PANEL (SEE STATIONARY PANEL  
INSTALLATION).**



**JAMB DETAIL**

**HEAD/SILL DETAIL**

---

# PART 1: ASSEMBLY OF DOOR UNIT

---

## ASSEMBLY TOOLS NEEDED



**NOTE: PREFINISHING OF ALL COMPONENTS PRIOR TO ASSEMBLY IS RECOMMENDED, BUT NOT NECESSARY EXCEPT FOR TOP AND BOTTOM OF STATIONARY PANEL (SEE STATIONARY PANEL INSTALLATION).**

---

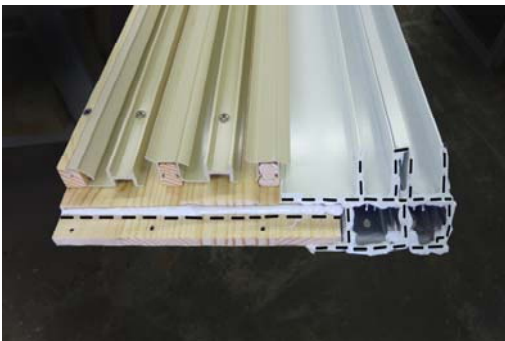
## FRAME ASSEMBLY

**NOTE: IF FRAME COMPONENTS ALREADY ASSEMBLED PROCEED TO PAGE 8**

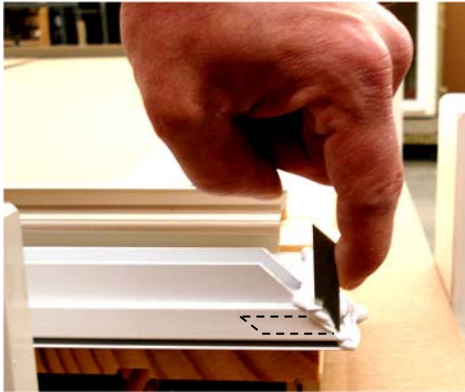


1. Lay frame parts out on clean and level surface.

2. Apply silicone caulking at ends of head jamb as shown. This includes all exposed unpainted aluminum cladding and wood joint where side jamb attaches. This will allow significant enough coverage for a complete seal. (Wipe off excess caulking material after corner joints are assembled).



- 3. Insert two metal corner keys into each end of head aluminum brick moulding as shown.**



- 4. Attach side jambs to header by first inserting ends of corner keys into corresponding slots in side jamb.**





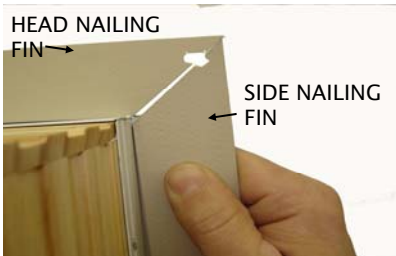
**5. Insert lead point screws into predrilled holes to join aluminum cladding.**



**6. Pre-drill holes through header into side jamb.**

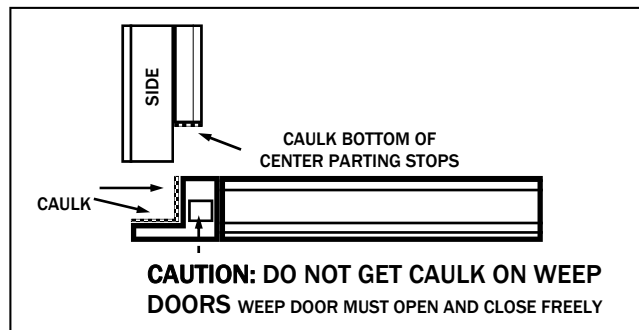


**7. Attach wood header to wood side jambs using the screws provided for each corner. Remove excess caulking material. Fill any voids in mitered aluminum with caulk.**



**8. Insert vinyl nailing fin into jamb cladding as shown.**

9. Apply silicone caulk to ends of sill at joint where jamb is to be attached as shown.

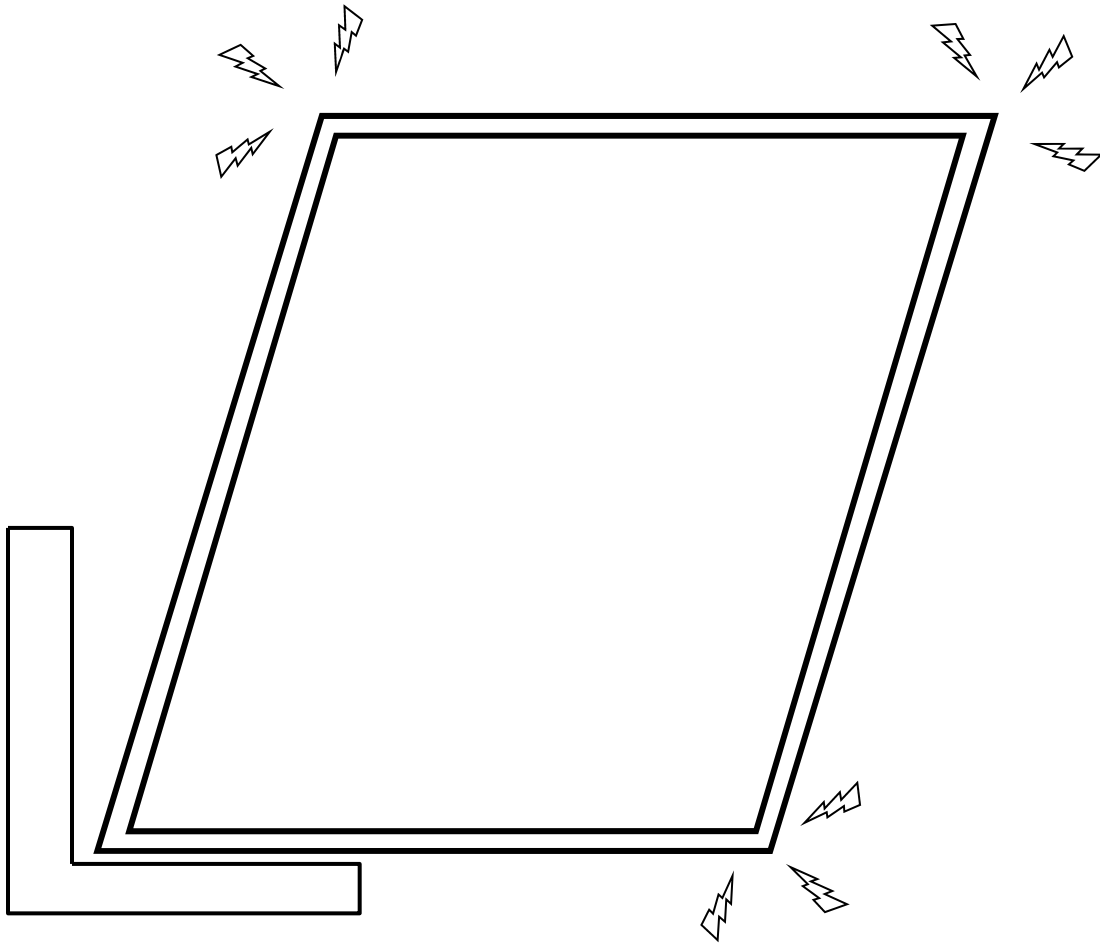


10. Position sill to side jambs and predrill through sill end into jamb to ensure breakout through jamb does not occur.

11. Attach sill to wood side jambs using the screws provided for each corner.



**THE FRAME IS NOW ASSEMBLED**



## **DO NOT RACK DOOR FRAME**

- . DAMAGE TO SEALS AND TO SILL MAY OCCUR.**
- . IF DELIVERING TO JOB SITE BE SURE FRAME IS PROTECTED.**

# INSTALLATION OF DOOR FRAME INTO ROUGH OPENING

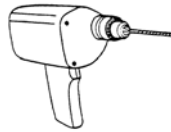
## INSTALLATION TOOLS



WOOD SEALER



SILICONE CAULK & CAULKING GUN



DRILL/SCREW-GUN



6' BUBBLE LEVEL



FRAMING SQUARE



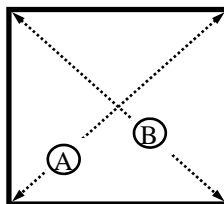
FLASHING TAPE

## PREPARING THE ROUGH OPENING

### SQUARE

Make sure rough opening is square. Rough opening should be no less than 1/2" wider and 1/4" taller than outside dimension of frame.

ROUGH OPENING

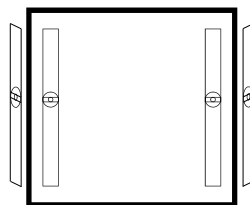


SQUARE:

### PLUMB

Jams must be plumb and straight. Use plumb bob or level to check that top of jamb is not tipped in or out in relation to bottom. Door will not seal evenly along weatherstrip.

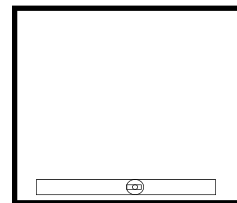
ROUGH OPENING

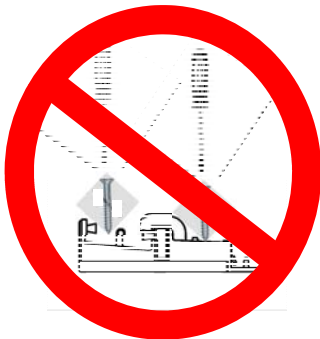
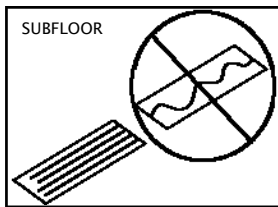
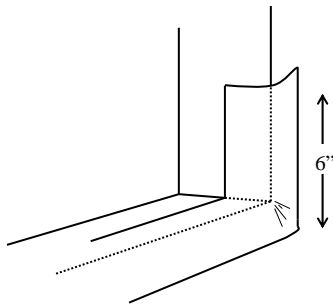


### SUB-FLOOR FLAT, LEVEL

Sub-flooring under door must be flat, level, and smooth. Failure to ensure this may result in improper operation of the door and water & air infiltration.

ROUGH OPENING





DO NOT ATTACH SILL TO FLOOR WITH FASTENERS OR DRILL HOLES IN SILL FOR ANY REASON.

## FRAME INSTALLATION

- Apply flashing tape to the frame opening beginning 6" up from floor, down across floor and 6" up the other side.
- Generously apply sealant to subfloor before tilting assembled frame into opening.
- Center frame in opening.
- Allow the sill to overhang the sill flashing. The sill will shed water from the door more efficiently.
- Shim and level sill being absolutely certain there is no bowed up or down at center.
- Shim side jambs to ensure proper operation and sealing of door. Place bottom shim within 2" of bottom of jamb to ensure that seal between jamb and sill will not be damaged.
- **DO NOT SHIM OR FASTEN HEADER AT THIS TIME. PANEL INSTALATION REQUIRES FLEX AT THE TOP!!!!**
- Check frame once again to be sure it is plumb and square before proceeding.
- Tack frame to opening EXCEPT AT HEADER allowing to make adjustments after door panels have been installed.
- **DO NOT DRILL OR SCREW THROUGH SILL!**

FAILURE TO FOLLOW THE ABOVE STEPS MAY RESULT IN:

- EXCESSIVE AIR AND WATER INFILTRATION
- PROBLEMS WITH THE OPERATION OF THE DOOR

MANUFACTURER IS NOT RESPONSIBLE FOR:

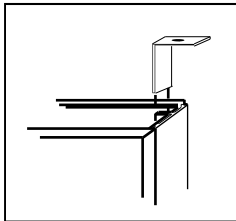
- DAMAGE RESULTING FROM IMPROPER INSTALLATION
- ENVIRONMENTAL CONDITIONS BEYOND THE TESTED RANGE
- INADEQUATE DRAINAGE SITUATIONS



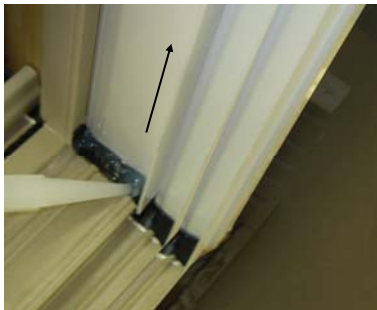
## STATIONARY PANEL INSTALLATION



13. Seal top and bottom of stationary panel with wood sealer. Steps 11 & 12 prevent water from deteriorating and discoloring stationary panel.



14. Insert "L" Bracket behind edge cladding at top of stationary panel as shown.



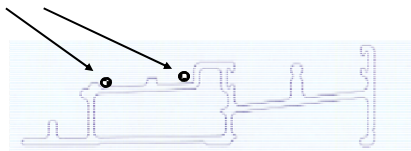
15. Caulk the area of the sill that the stationary panel will rest including the joint of the sill and side jamb on the stationary side and side jamb to the top of the jamb.

CAULK JOINTS  
ON STATIONARY  
JAMB POCKET

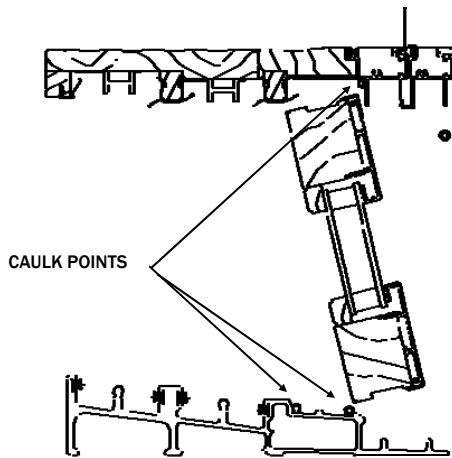


CAULK JOINTS  
ON STATIONARY  
SIDE OF SILL  
AND SIDE JAMB

16. Caulk the area of the sill that the stationary panel will rest including the joint of the sill and side jamb on the stationary side.

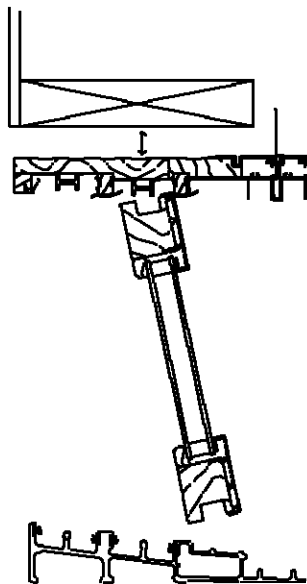


## STATIONARY PANEL INSTALLATION



16. From the exterior lift the stationary panel inserting the top of the panel first. Place the outside track of the head jamb.
18. Swing the bottom of the panel toward the interior and set onto caulked area of sill as close to stationary jamb as possible. Slide the stationary panel firmly into the jamb pocket. This is a good time to make certain that your jambs are plumb and square and that your sill is flat as the stationary panel is square.

## SECONDARY (MIDDLE) ACTIVE PANEL INSTALLATION

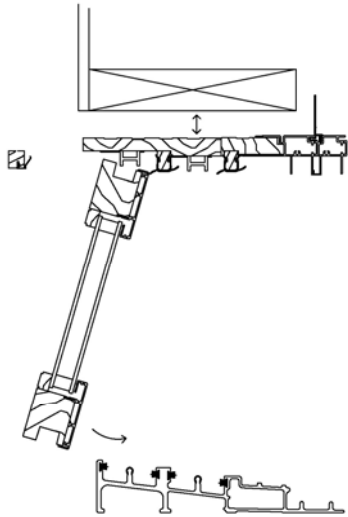


NOTE: HEADER NEEDS TO FLEX UPWARD TO ACCEPT THIS PANEL.

21. From the exterior position secondary active panel as shown and push up into header. Header must flex enough so that the panel's rollers can be set down onto the roller track.
22. Install bumper as shown into predrilled hole at top of secondary active panel with screw provided.



## PRIMARY (INTERIOR) ACTIVE PANEL INSTALLATION



NOTE: HEADER NEEDS TO FLEX UPWARD TO ACCEPT THIS PANEL.



23. Remove head interior vinyl stop.

24. From the interior side of the unit position top of primary active panel as shown into header and swing bottom in and set on roller track. Make sure rollers are positioned properly on track. CAUTION: ROLL DOOR IN CLOSED POSITION AS TO PREVENT DOOR FALLING OUT OF FRAME AND CAUSING INJURY OR DEATH.

25. IMMEDIATELY replace head interior vinyl stop.

24. Complete shimming and securing frame to opening.

25. Remove the two brown adjustment hole plugs at the bottom of each operating panel. Adjust the rollers with screwdriver to raise and lower unit for ease of operation making sure panel is in contact with sill pile weatherstrip. Check to make sure operating panel is parallel to the locking side jamb and the other door panels. If primary active sash is not parallel to the strike jamb and after opening not parallel to the other panels check the following:

Frame is not square.

- Sill is not flat.
- Rollers are improperly adjusted

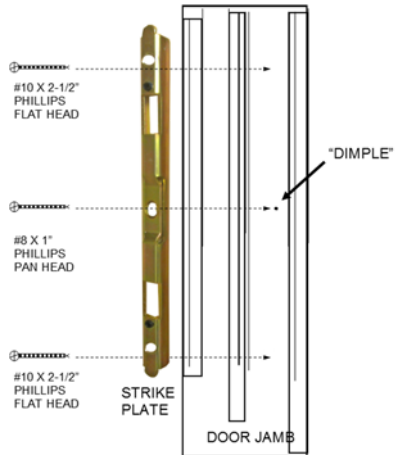
Re-attach the brown adjustment hole plugs

26. Insert mortise lock into edge of operating panel. Attach with screws provided.





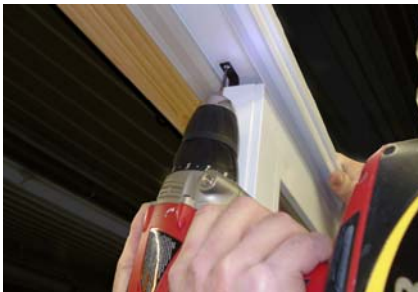
27. Set strike plate locator tool onto mortise lock latch hook. Close door panel into jamb with enough force to create two indentations in wood jamb. These indentations are locations for screws to be inserted to attach strike locking plate to jamb.



28. Attach strike plate with screws provided. Start screws in indentations in jamb created by in step 27



29. Caulk bottom edge of stationary panel at joint between panel and sill



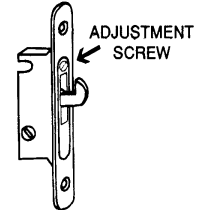
30. Attach stationary panel L-Bracket to header with screw provided.



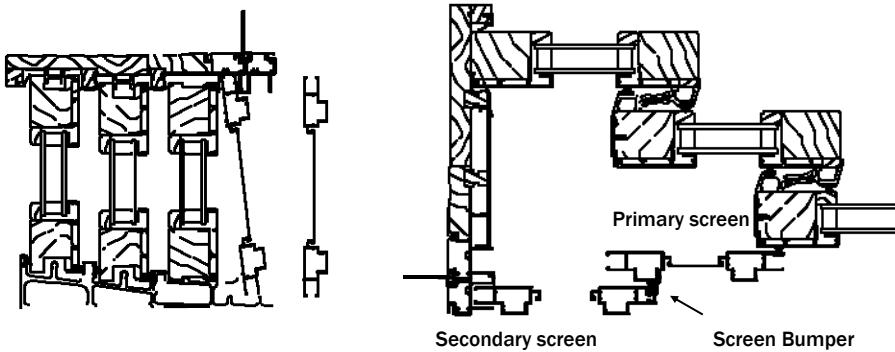
**29. Attach handle set per instructions packaged with hardware.**



Lock adjustment screw allows latch to engage snugly into jamb strike plate.



## **SCREEN INSTALLATION FOR TELESCOPE SLIDING DOOR**



Insert top of secondary screen (the one without handle) into aluminum screen channel at the head jamb. This needs to be inserted toward the half of the head jamb closest to the stationary panel as stop is supplied in head track to prevent screen from traveling too far in track.

Set screen onto bottom screen track making sure rollers are properly positioned atop track. Repeat this for primary screen (screen with handle).

For adjustment and locking refer to instructions accompanying screen.

**END OF ASSEMBLY AND INSTALLATION INSTRUCTIONS**

# TROUBLESHOOTING GUIDE

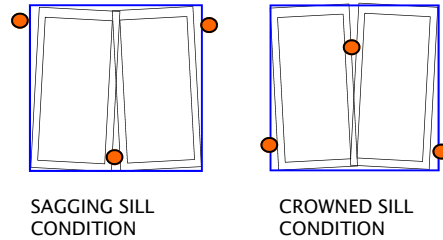
## AIR/WATER INFILTRATION SLIDING PATIO DOOR

THIS CONDITION IS CAUSED BY IMPROPER INSTALLATION OF UNIT

### 1. SILL NOT FLAT OR LEVEL

DOOR PANELS CANNOT SEAL TO EACH OTHER AND TO FRAME

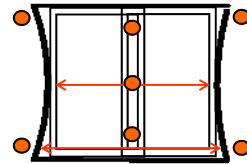
- TO CHECK LAY STRAIGHT EDGE ON SILL



### 2. SIDE JAMBS BOWED IN

TOO MUCH INSULATION OR OVERSHIMMING CAUSING JAMBS TO PUSH SASH PAST CENTER

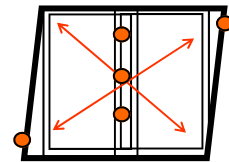
- TO CHECK MEASURE ACROSS FRAME AT CENTER AND AT BOTTOM (OR TOP)



### 3. FRAME OUT OF SQUARE

SQUARE SASH TOO WIDE FOR FRAME

- TO CHECK MEASURE FRAME DIAGONALLY BOTH MEASUREMENTS SHOULD BE THE SAME



## **FINISHING INSTRUCTIONS**

INSTALLATION OF THIS PRODUCT IS NOT COMPLETE UNTIL ALL EXPOSED WOOD SURFACES HAVE BEEN SEALED. FAILURE TO DO SO WILL RESULT IN POOR PERFORMANCE, INTRUSION OF MOISTURE INTO THE WOOD FIBER, AND DETERIORATION OF THE PRODUCT.

FAILURE TO PROPERLY FINISH THIS PRODUCT WITHIN 30 DAYS OF INSTALLATION MAY VOID THE WARRANTY.

EXPOSED WOOD SURFACES INCLUDE:

- ALL FOUR EDGES OF EACH DOOR PANEL
- INSIDE OF LOCK ROUTES, ROLLER POCKETS (SLIDING DOORS)

USE ONLY HIGH QUALITY MATERIALS THAT SEAL THE WOOD. REGULAR REFINISHING MAY BE NECESSARY

## **PINE IS A SOFTWOOD**

FAILURE TO USE A PRESTAIN AND/OR APPLYING STAIN UNEVENLY MAY CAUSE A BLOTCHY APPEARANCE WHICH CANNOT BE COVERED UNDER WARRANTY.

FAILURE TO INSTALL AND FINISH DOOR UNITS PROPERLY WILL VOID WARRANTY.

# A WORD ABOUT CONDENSATION

If condensation appears on this product or any other window product it is most likely not the fault of the door or window.

Water will condense on any cool surface. The cause of condensation is air saturated with too much humidity. When this happens, air cannot hold the excess humidity. It gets rid of it by condensing it on the most convenient cool surface.

## Causes of excess humidity:

- Normal breathing
- Cooking
- Showering
- Watered plants
- Appliances—Dishwashers, washing machines, dryers
- Poorly insulated crawl spaces
- New construction—moisture from concrete, other building products.

## Corrective Measures:

- ⇒ Make sure your humidifier is in working order
- ⇒ Vent all appliances
- ⇒ Vent attic and crawl spaces
- ⇒ Cover the earth in your crawl space with a vapor barrier
- ⇒ Run exhaust fans while cooking or bathing
- ⇒ Ventilate forced air heat with outside air
- ⇒ Store firewood outside
- ⇒ Exchange air

## Appropriate Humidity levels at 70° F:

Outside temp:	-20°F or less	15% Maximum Relative Humidity
	-20°F	20%
	-10°F	25%
	0°F	30%
	10°F	35%
	20°F	40%

Remember: If you see condensation on windows and doors there may be moisture where you cannot see it. This may cause serious problems.