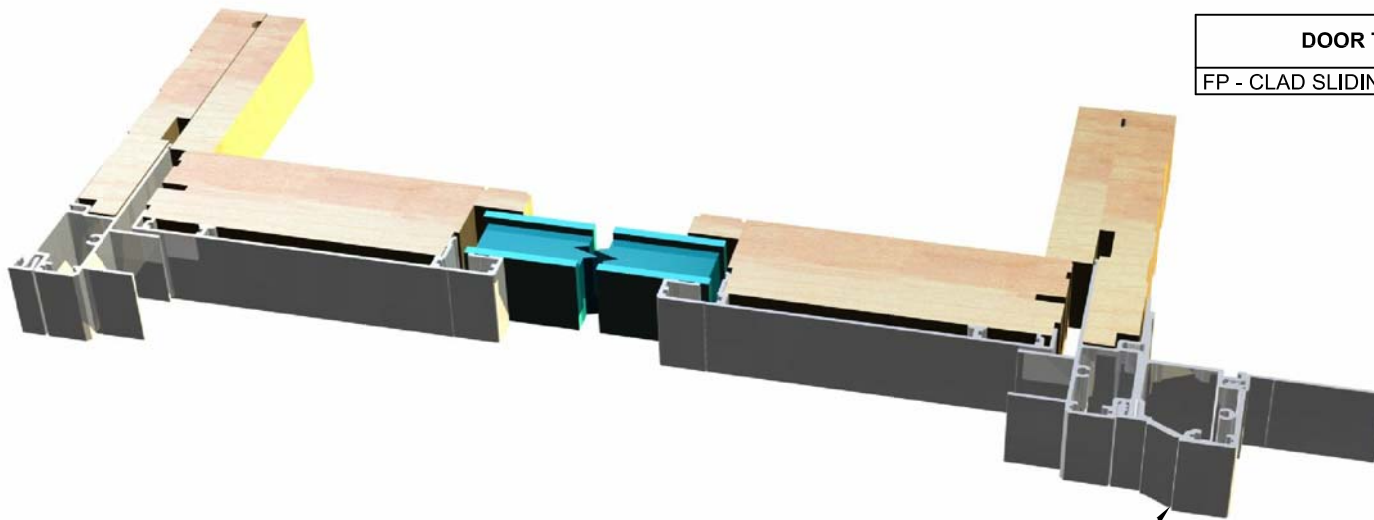
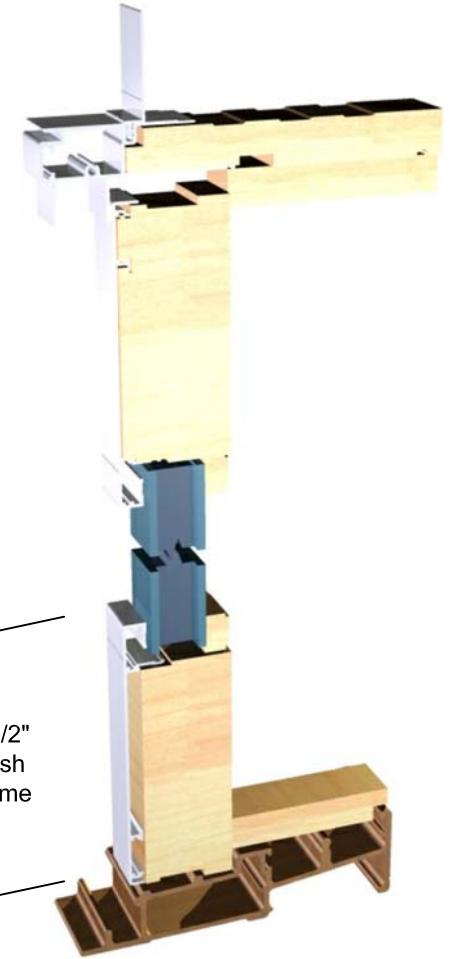


DOOR TYPE	DESCRIPTION
FP - CLAD SLIDING GLASS DOOR	ONE PANEL STATIONARY



**Jamb Section**  
Scale: 1/4"=1"

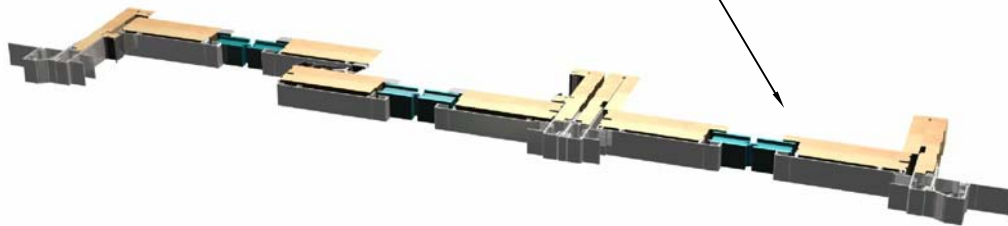
Optional Brickmould



4-1/2"  
Sash  
Frame

**Head/Sill Section**  
Scale: 1/4"=1"

Alone or to be used with two panel unit for OXO, OOX, or XOO



**Exterior Elevation**  
Scale: 1/2"=1'-0"

UNIT	OSM FRAME:	OSM OPTIONAL BRICKMOULD
FP2-6x6/9	31-5/8" x 80-1/16"	33-15/16" x 81-7/32"
FP2-6x6/11	31-5/8" x 82-1/16"	33-15/16" x 83-7/32"
FP3x6/9	37-5/8" x 80-1/16"	39-15/16" x 81-7/32"
FP3x6/11	37-5/8" x 82-1/16"	39-15/16" x 83-7/32"
FP4x6/9	49-5/8" x 80-1/16"	51-15/16" x 81-7/32"
FP4x6/11	49-5/8" x 82-1/16"	51-15/16" x 83-7/32"
FP3x8/0	37-5/8" x 95-1/16"	39-15/16" x 96-7/32"
FP4x8/0	49-5/8" x 95-1/16"	51-15/16" x 96-7/32"
Custom	Available	Frame Width + 2-5/16" Frame Height + 1-5/32"

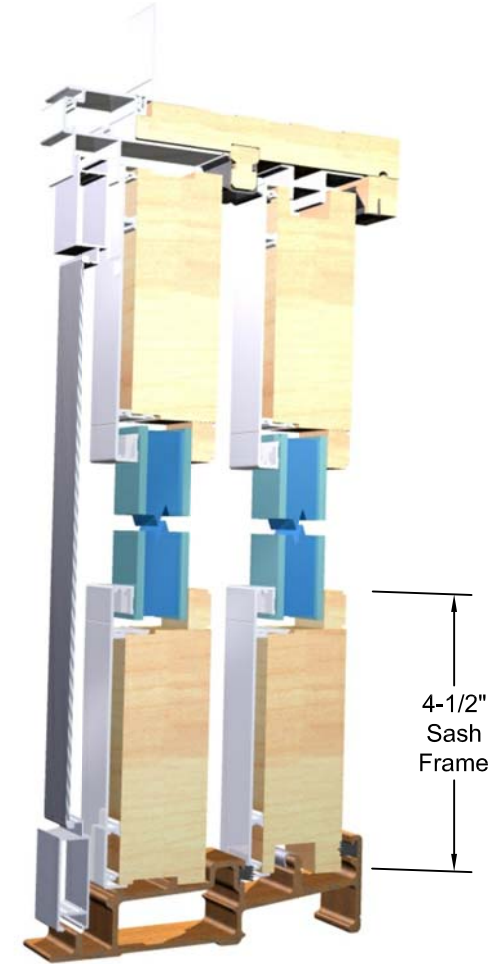


BY MERRILL MILLWORK

DOOR TYPE	DESCRIPTION
FP - CLAD SLIDING GLASS DOOR	TWO PANEL XO or OX



***Jamb Section***  
Scale: 1/4"=1"



***Head/Sill Section***  
Scale: 1/4"=1"



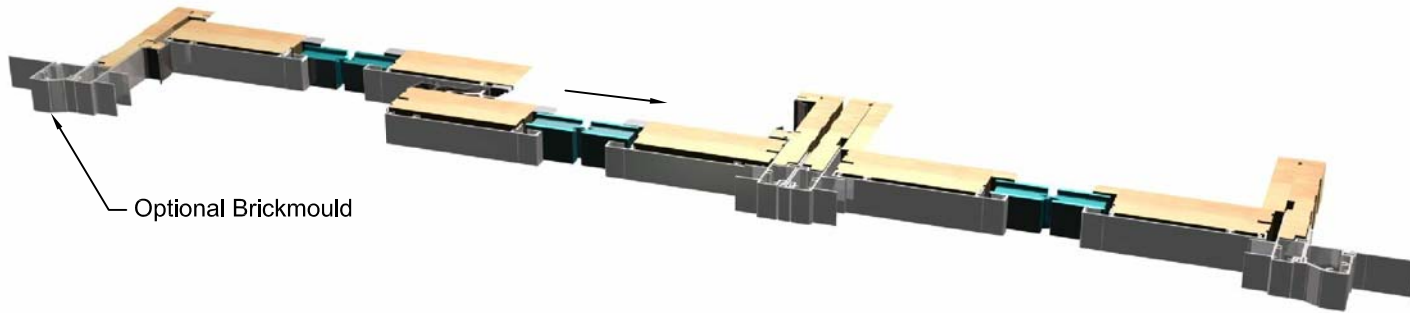
***Exterior Elevation***  
Scale: 1/2"=1'-0"

UNIT	OSM FRAME:	OSM OPTIONAL BRICKMOULD
FP5x6/9	58-7/8" x 80-1/16"	61-3/16" x 81-7/32"
FP6x6/9	70-7/8" x 80-1/16"	73-3/16" x 81-7/32"
FP8x6/9	94-7/8" x 80-1/16"	97-3/16" x 81-7/32"
FP5x6/11	58-7/8" x 82-1/16"	61-3/16" x 83-7/32"
FP6x6/11	70-7/8" x 82-1/16"	73-3/16" x 83-7/32"
FP8x6/11	94-7/8" x 82-1/16"	97-3/16" x 83-7/32"
FP5x8/0	58-7/8" x 95-1/16"	61-3/16" x 96-7/32"
FP6x8/0	70-7/8" x 95-1/16"	73-3/16" x 96-7/32"
FP8x8/0	94-7/8" x 95-1/16"	97-3/16" x 96-7/32"
Custom	Available	Frame Width + 2-5/16" Frame Height + 1-5/32"



BY MERRILL MILLWORK

DOOR TYPE	DESCRIPTION
FP - CLAD SLIDING GLASS DOOR	THREE PANEL XOO, OXO, OOX



Optional Brickmould

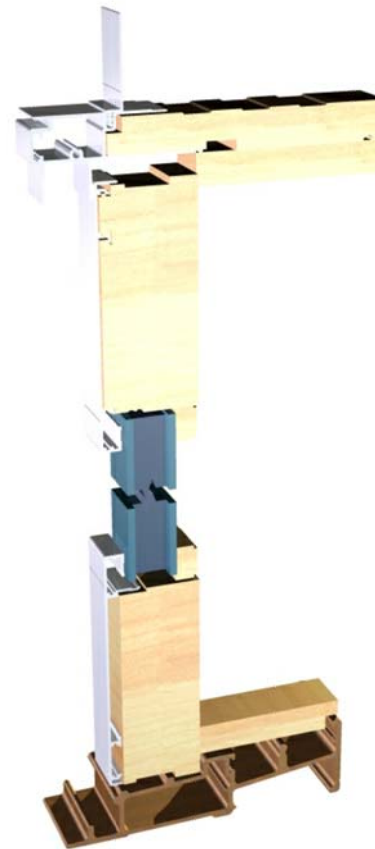
**Jamb Section**  
Scale: 1/4"=1"



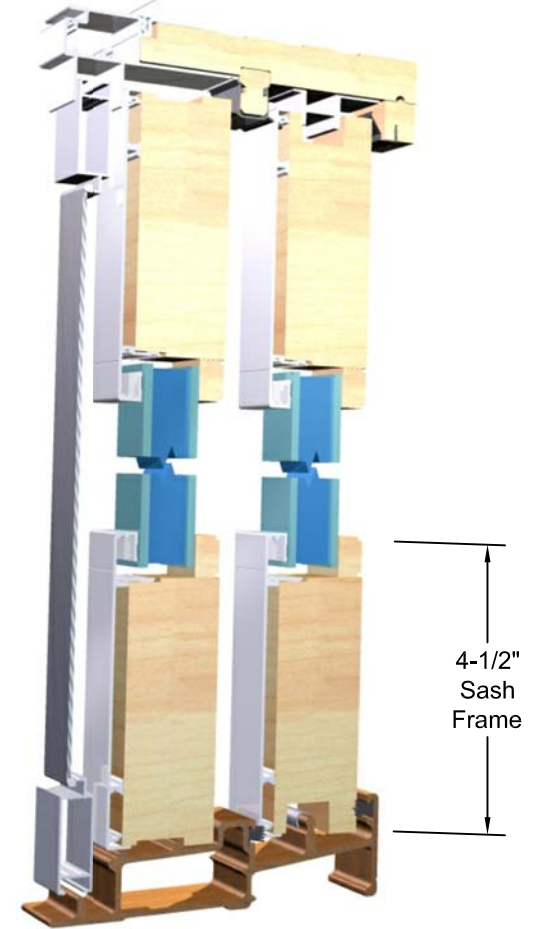
**Exterior Elevation**  
Scale: 1/2"=1'-0"



BY MERRILL MILLWORK



**Head/Sill Section @Stationary**  
Scale: 1/4"=1"



4-1/2"  
Sash  
Frame

**Head/Sill Section**  
Scale: 1/4"=1"

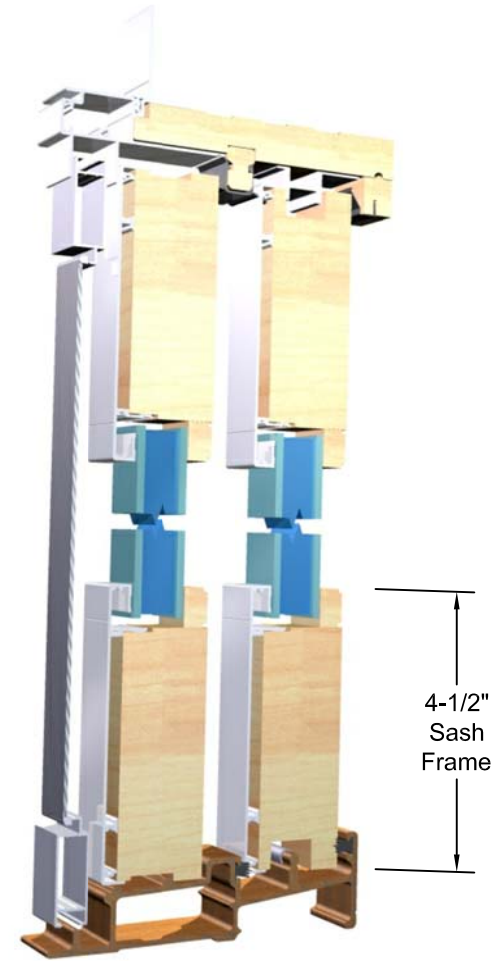
UNIT	OSM FRAME:	OSM OPTIONAL BRICKMOULD
FP7-6x6/9	90-1/2" x 80-1/16"	92-13/16" x 81-7/32"
FP9x6/9	108-1/2" x 80-1/16"	110-13/16" x 81-7/32"
FP12x6/9	144-1/2" x 80-1/16"	146-13/16" x 81-7/32"
FP7-6x6/11	90-1/2" x 82-1/16"	92-13/16" x 83-7/32"
FP9x6/11	108-1/2" x 82-1/16"	110-13/16" x 83-7/32"
FP12x6/11	144-1/2" x 82-1/16"	146-13/16" x 83-7/32"
FP7-6x8/0	90-1/2" x 95-1/16"	92-13/16" x 96-7/32"
FP9x8/0	108-1/2" x 95-1/16"	110-13/16" x 96-7/32"
FP12x8/0	144-1/2" x 95-1/16"	146-13/16" x 96-7/32"
Custom	Available	Frame Width + 2-5/16" Frame Height + 1-5/32"



DOOR TYPE	DESCRIPTION
FP - CLAD SLIDING GLASS DOOR	FOUR PANEL OXO (SHOWN)



**Jamb Section**  
Scale: 1/4"=1"



**Head/Sill Section**  
Scale: 1/4"=1"



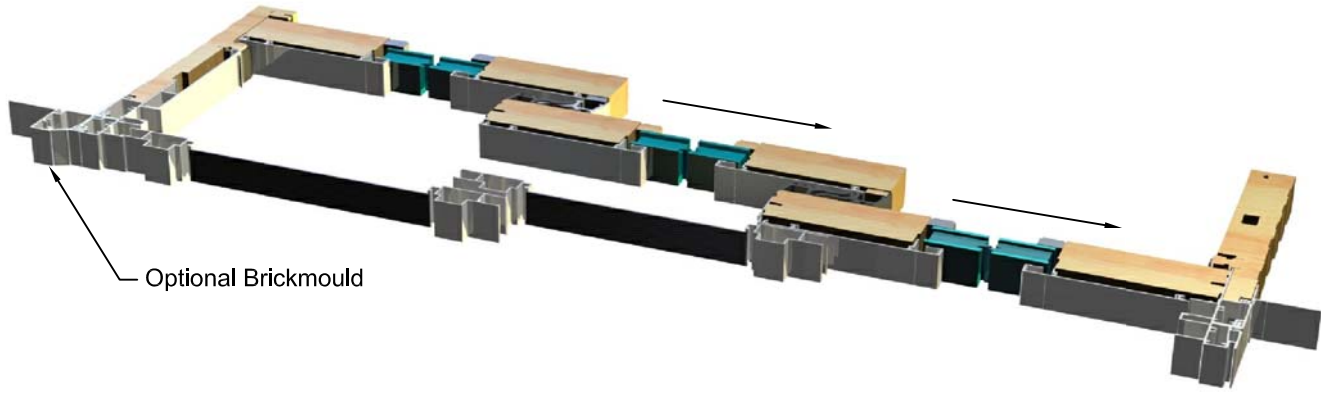
**Exterior Elevation**  
Scale: 1/2"=1'-0"

UNIT	OSM FRAME:	OSM OPTIONAL BRICKMOULD
FP10-4x6/9	116-15/16" x 80-1/16"	119-1/4" x 81-7/32"
FP12-4x6/9	140-15/16" x 80-1/16"	143-1/4" x 81-7/32"
FP16-4x6/9	188-15/16" x 80-1/16"	191-1/4" x 81-7/32"
FP10-4x6/11	116-15/16" x 82-1/16"	131-1/4" x 83-7/32"
FP12-4x6/11	140-15/16" x 82-1/16"	155-1/4" x 83-7/32"
FP16-4x6/11	188-15/16" x 82-1/16"	203-1/4" x 83-7/32"
FP10-4x8/0	116-15/16" x 95-1/16"	119-1/4" x 96-7/32"
FP12-4x8/0	140-15/16" x 95-1/16"	143-1/4" x 96-7/32"
FP16-4 x 8/0	188-15/16" x 95-1/16"	191-1/4" x 96-7/32"
Custom	Available	Frame Width + 2-5/16" Frame Height + 1-5/32"



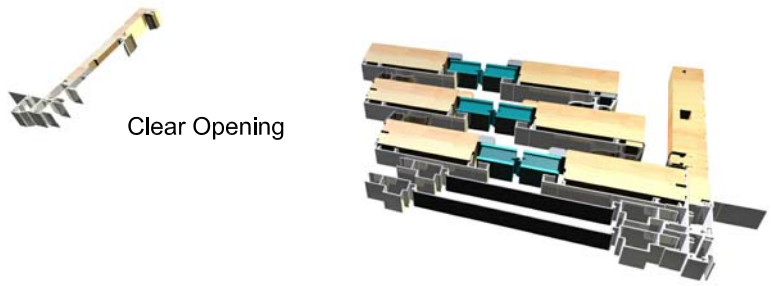
BY MERRILL MILLWORK

DOOR TYPE	DESCRIPTION
FP - CLAD "TELESCOPE" SLIDING GLASS DOOR	THREE PANEL OXX OR XXO



Optional Brickmould

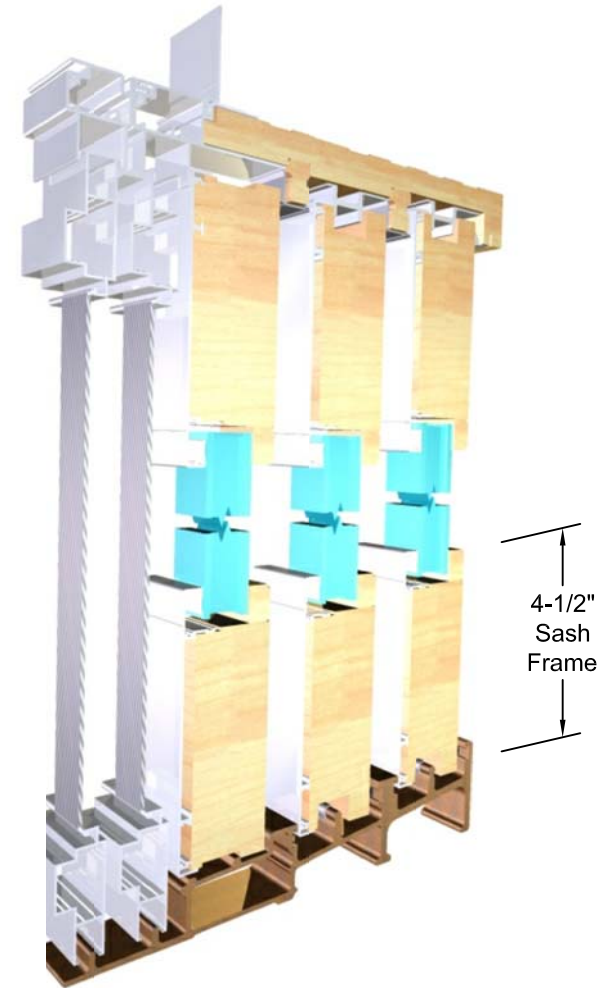
**Jamb Section**  
Scale: 1/4"=1"



Clear Opening



**Exterior Elevation**  
Scale: 1/2"=1'-0"



4-1/2"  
Sash  
Frame

**Head/Sill Section**  
Scale: 1/4"=1"

UNIT	OSM FRAME:	OSM OPTIONAL BRICKMOULD
TFP7-6x6/9	86-5/16" x 80-1/16"	88-5/8" x 81-7/32"
TFP9x6/9	104-5/16" x 80-1/16"	106-5/8" x 81-7/32"
TFP12x6/9	140-5/16" x 80-1/16"	142-5/8" x 81-7/32"
TFP7/6x6/11	86-5/16" x 82-1/16"	88-5/8" x 83-7/32"
TFP9x6/11	104-5/16" x 82-1/16"	106-5/8" x 83-7/32"
TFP12x6/11	140-5/16" x 82-1/16"	142-5/8" x 83-7/32"
TFP7/6x8	86-5/16" x 95-1/16"	88-5/8" x 96-7/32"
TFP9x8	104-5/16" x 95-1/16"	106-5/8" x 96-7/32"
TFP12x8	140-5/16" x 95-1/16"	142-5/8" x 96-7/32"
Custom	Available	Frame Width + 2-5/16" Frame Height + 1-5/32"



BY MERRILL MILLWORK