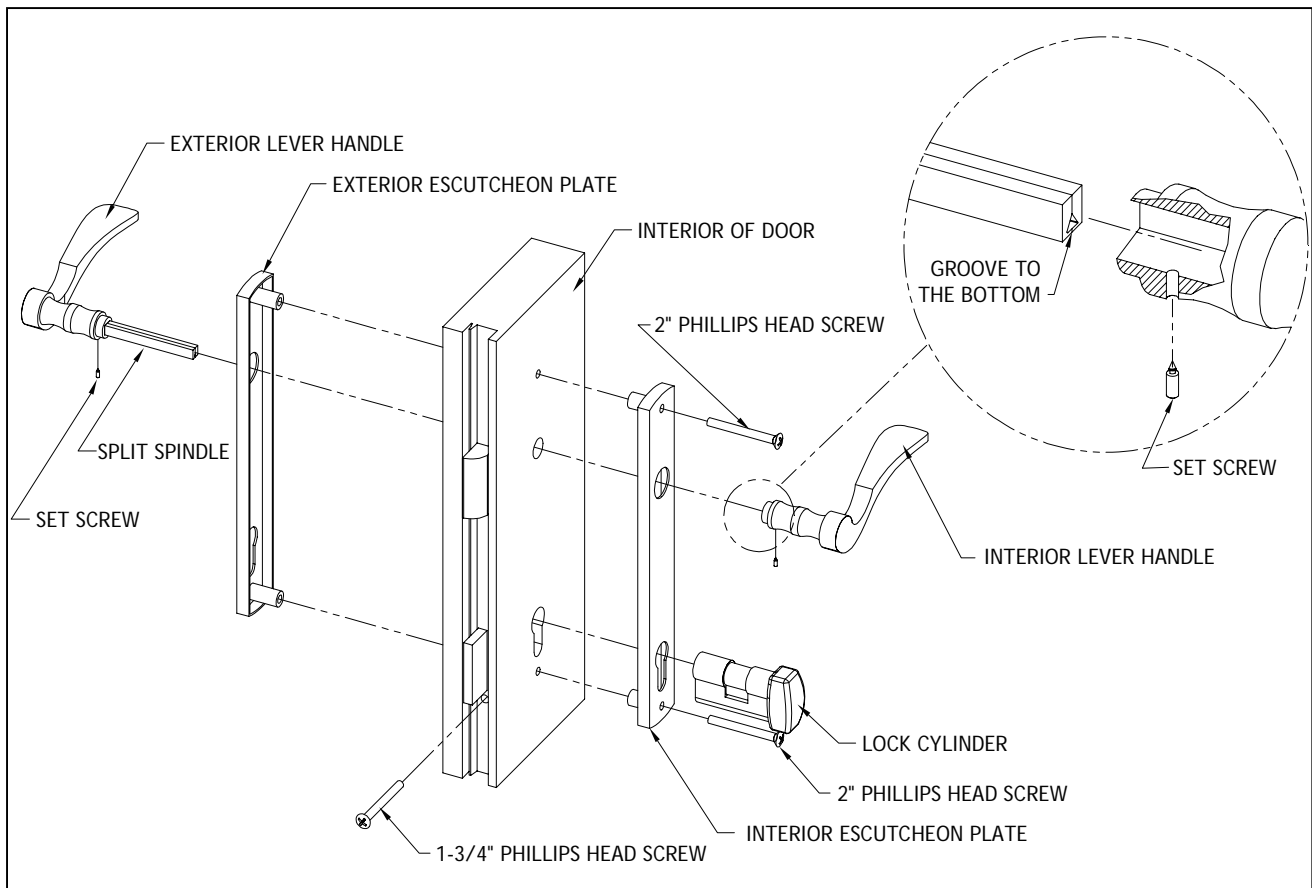


## "Catalina" Multipoint Handle Set

### Instruction Guide

- 1 Apply interior and exterior escutcheon plates and fasten loosely with the 2" Phillips head screws provided.  
Note: Interior plate has recessed holes for screws, as shown in drawing.
- 2 Install interior and exterior lever handles as shown.  
Do not tighten set screws.
- 3 Install lock cylinder from interior side.  
Insert the cone-tip cylinder screw through the pre-drilled hole in the stile as shown, then tighten.
- 4 Tighten escutcheon plates.
- 5 Hold lever handles flush to escutcheon plates, then tighten the set screws with the wrench provided.



## "Catalina" Multipoint Dummy Handle Set Instruction Guide (Weldment Style)

- 1 Press dummy weldment into back of escutcheon plate.
- 2 Install interior and exterior lever handles as shown.  
Tighten set screws with the wrench provided.
- 3 Apply interior and exterior escutcheon plates and fasten  
with the 2" Phillips head screws provided.  
Note: Interior plate has recessed holes for screws.

